



minipack® - torre
Packaging machines and systems

REPLAY 55 EVO

TROLLEY MANUAL HEAT-SHRINK - SEALING BAR 540X390 MM



DESCRIPTION

The **REPLAY evo** range offers more basic products, yet with the same high quality. Equipped with new cutting-edge and exclusive systems, it is the most competitive offer of the new **minipack®-torre** chamber machines.

REPLAY 55 evo combines significant technological content with a basic and compact shape in order to aim at substance without losing sight of excellence, a characteristic common to all machines made by **minipack®-torre**.

TECHNICAL FEATURES



minipack®-torre S.p.A.

Sede legale - Via Provinciale, 54 - 24044 DALMINE (BG) Italy

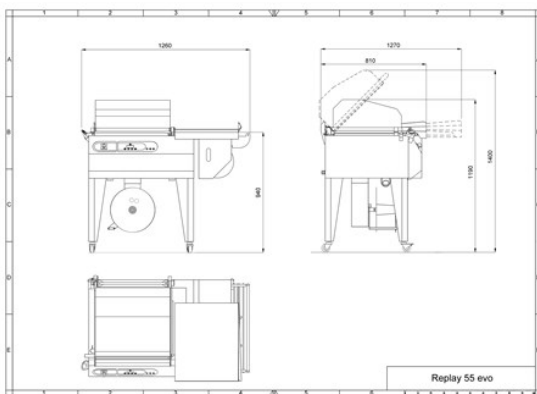
P.IVA - C.F.: 01633550163 - Capitale sociale 619.200,00 i.v. - Reg. Imprese di Bergamo 01633550163 - REA n. 224151



Electrical power supply	V	200/230
Phase	ph	1
Maximum power installed	kW	3,35 (200V) 3,45 (230V)
Hourly output	pcs/h	0-300
Available dimensions of the sealing bars	mm	540x390
MAX product size	mm	500x380x200
MAX Reel Dimensions (diameter)	mm	250
MAX Reel Strip Dimensions (width)	mm	600
Work Surface Height	mm	940
Machine dimensions with the lid open	mm	1260x810x1400
Machine dimensions with the lid closed	mm	1260x810x1190
Weight (Net/Gross)	Kg	105/126

minipack®-torre shall not be held liable for typos or printing errors in this catalogue. It also reserves the right to make changes to the specified features without prior notice. All trademarks are property of their respective owners and are hereby acknowledged.

TECHNICAL DRAWING



TECHNICAL SOLUTIONS

- **High-performance steel resistors:** shrinking time cut by 50% and heating time cut by 60%
- **Soft Shrink fan speed adjustment:** perfect heat-shrinking also on very light or flexible products. Sealed areas do not open. Extremely quiet. Exclusive patent
- **Comfort Zone Fan Stop:** the fan stop is a “green” solution that allows to save 20% more energy and

minipack®-torre S.p.A.

Sede legale - Via Provinciale, 54 - 24044 DALMINE (BG) Italy

P.IVA - C.F.: 01633550163 - Capitale sociale 619.200,00 i.v. - Reg. Imprese di Bergamo 01633550163 - REA n. 224151



minipack® - torre
Packaging machines and systems

- provides greater operator comfort during packaging, since the fan stops when the chamber opens
- **New latest-generation board:** quality components. 4-digit display.

minipack®-torre S.p.A.

Sede legale - Via Provinciale, 54 - 24044 DALMINE (BG) Italy

P.IVA - C.F.: 01633550163 - Capitale sociale 619.200,00 i.v. - Reg. Imprese di Bergamo 01633550163 - REA n. 224151