



**minipack® - torre**  
Packaging machines and systems

# FM76 EVO

TROLLEY MANUAL HEAT-SHRINK - FULL OPTIONAL - SEALING BAR 540X390  
MM



## DESCRIPTION

**Minipack@-torre** always pursues its pioneering spirit. Indeed, the company was set up more than 40 years ago, precisely thanks to the idea of chamber machines, which was patented in 1976. But ideas cannot stop. Today, the company is launching a new line which is the result of years of research and development and represents the synthesis of the **minipack@-torre** compact machines: easy to use, sturdy and reliable.

## TECHNICAL FEATURES

Electrical power supply

200V 1Ph  
230V 1Ph

**minipack@-torre S.p.A.**

Sede legale - Via Provinciale, 54 - 24044 DALMINE (BG) Italy

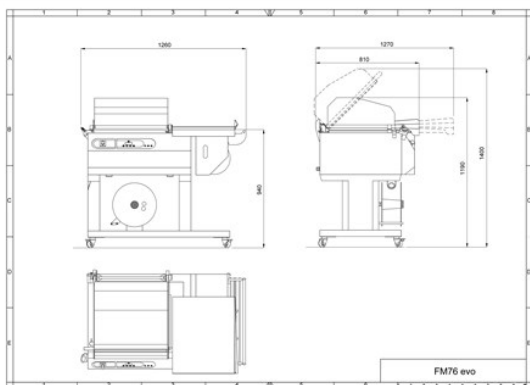
P.IVA - C.F.: 01633550163 - Capitale sociale 619.200,00 i.v. - Reg. Imprese di Bergamo 01633550163 - REA n. 224151



Maximum power installed	3,35 kW (200V) 3,45 kW (230V)
Maximum current	14,5 A (200V) 15 A (230V)
Hourly output	0-300
Available dimensions of the sealing bars	540x390 mm
MAX product size	500x380x200 mm
MAX Reel Dimensions (Ø x length)	Ø250x600 mm
Work Surface Height	925 mm
Machine dimensions (open hood)	1260x810x1310 mm
Machine dimensions (closed hood)	1260x810x1165 mm
Weight (Net/Gross)	126/150 kg

minipack@-torre shall not be held liable for typos or printing errors in this catalogue. It also reserves the right to make changes to the specified features without prior notice. All trademarks are property of their respective owners and are hereby acknowledged.

## TECHNICAL DRAWING



## TECHNICAL SOLUTIONS

- **High-performance steel resistors:** shrinking time cut by 50% and heating time cut by 60%
- **Soft Shrink fan speed adjustment:** perfect heat-shrinking also on very light or flexible products. Sealed areas do not open. Extremely quiet. Exclusive patent
- **Comfort Zone Fan Stop:** the fan stop is a “green” solution that allows to save 20% more energy and provides greater operator comfort during packaging, since the fan stops when the chamber opens
- **New latest-generation board:** quality components. 4-digit display

**minipack@-torre S.p.A.**

Sede legale - Via Provinciale, 54 - 24044 DALMINE (BG) Italy

P.IVA - C.F.: 01633550163 - Capitale sociale 619.200,00 i.v. - Reg. Imprese di Bergamo 01633550163 - REA n. 224151



**minipack® - torre**  
Packaging machines and systems

- **Waste rewinder:** productivity up by 20%
- **Sealing bar cooling:** increased productivity and improved sealing

**minipack®-torre S.p.A.**

Sede legale - Via Provinciale, 54 - 24044 DALMINE (BG) Italy

P.IVA - C.F.: 01633550163 - Capitale sociale 619.200,00 i.v. - Reg. Imprese di Bergamo 01633550163 - REA n. 224151